

Victory Bathtub



 **Made in the USA**

ITEM ID#**	COLOR*	DESCRIPTION	DIMENSIONS	SHIPPING WEIGHT
0377946	W	Victory Above Floor Rough	54" x 27" x 16" Left	42 lbs
0377950	B			
0377947	W	Victory Above Floor Rough	54" x 27" x 16" Right	42 lbs
0377951	B			
0377989	W	Victory Above Floor Rough	54" x 27" x 16" Center	42 lbs
0377990	B			
0378059	W	Victory Above Floor Rough	60" x 30" x 16" Left	48 lbs
0378061	B			
0378060	W	Victory Above Floor Rough	60" x 30" x 16" Right	48 lbs
0378062	B			

***COLOR OPTIONS: W = WHITE B = BISCUIT**

****OVERFLOW STANDARD ON ALL TUBS EXCEPT 54" X 27" SIZES**

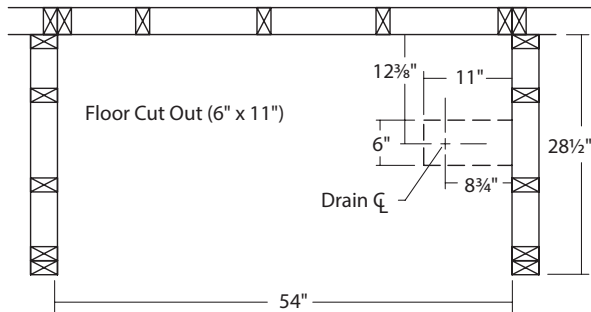
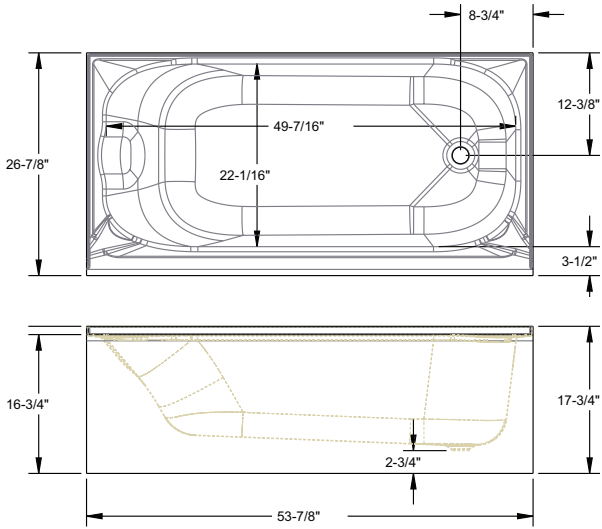
FEATURES

- Head and Lumbar support for bathing comfort
- Easy to install for both new construction and remodel projects
- Screw flange direct-to-stud, no predrilling or clips required
- Reinforced with fiberglass and OSB for maximum support
- Covered with a protective film to maintain finish during installation
- 5-Year Consumer, 2-Year Commercial Limited Warranty
- 100% robotic spraying improves quality and consistency
- Meets Flame/Smoke code for High Rise
- Meets ANSI and CSA Standards

Contact Your Blevins Sales Representative For More Information
www.BLEVINSINC.com

Blevins

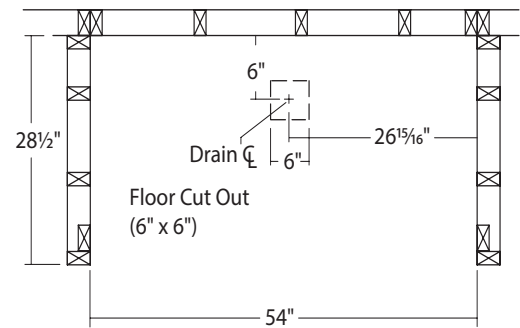
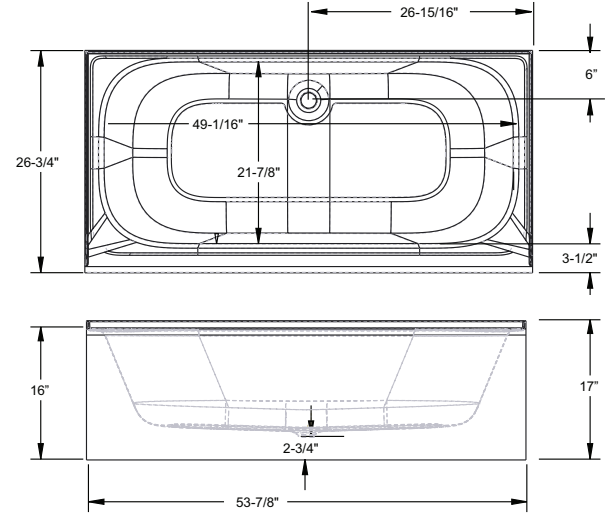
54" x 27"



⊠ = Stud location

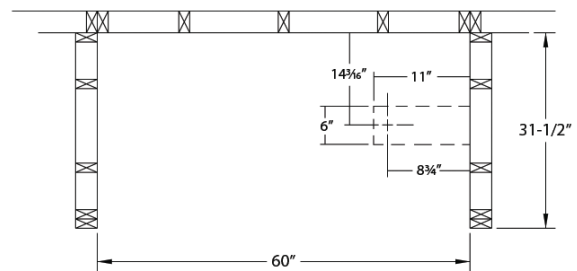
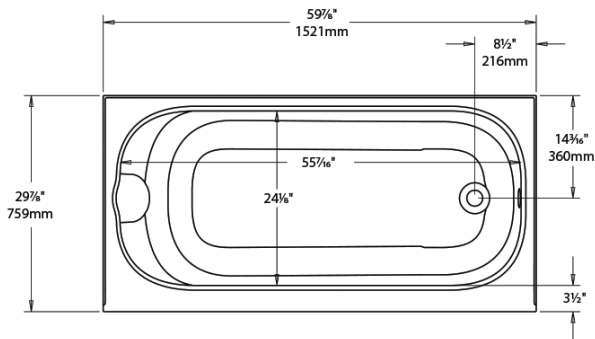
RH Installation shown - reverse for LH installation.

54" x 27" (center)



⊠ = Stud location

60" x 30"



⊠ = Stud location

RH Installation shown - reverse for LH installation.

* Color shown may vary slightly from the actual product due to variations in the printing process of this document.

** Plumbing accessories not included.

Design and features may change without notice.

Complies with ANSI Z124.1 and CAN/CSA-B45

CAN/ULC S102.2 Flame-75 & Smoke Developed-485 code.

Complies with ASME:A112.19.7 and CAN/CSA-B45.10

All product subject to manufacturing tolerance of [+] or [-] 1/8".

Printed in U.S.A.

11-2018

L05