

## Elite 54 x 27 Shower Base



\*Center Drain Shown

 **Made in the USA**

ITEM ID#	COLOR*	DESCRIPTION	DIMENSIONS	SHIPPING WEIGHT
0377940	W	Elite Standard Floor Rough	54" x 27" x 3½" Left	32 lbs
0377944	B			
0377941	W	Elite Standard Floor Rough	54" x 27" x 3½" Right	32 lbs
0377945	B			
0378082	W	Elite Above Floor Rough	54" x 27" x 5½" Center Drain	32 lbs
0378083	B			

\*COLOR OPTIONS: W = WHITE B = BISCUIT

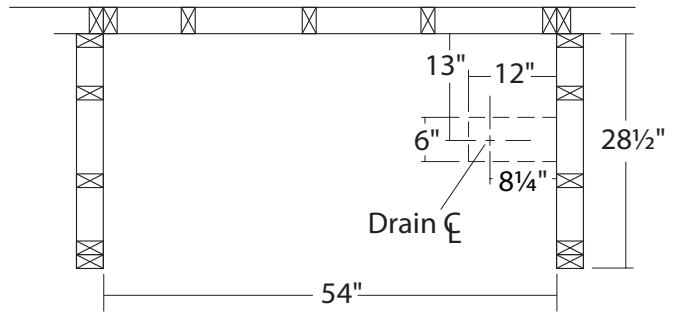
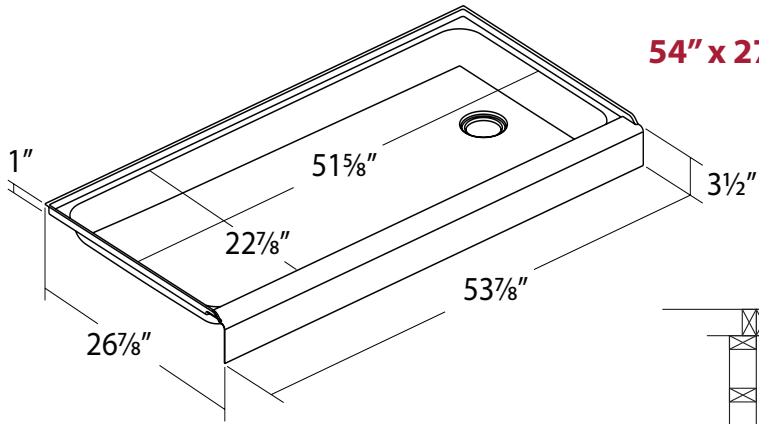
### FEATURES


- High gloss acrylic surface
- Scratch and stain resistant
- Spacious slip resistant area
- Reinforced with fiberglass and OSB for maximum support
- Flange screws direct-to-stud, no predrilling or clips required
- Covered with protective film to maintain finish and protect during installation
- 100% Robotic spraying improves quality and consistency
- 5-year consumer, 2-year commercial limited warranty
- Meets ANSI and CSA standards

Contact Your Blevins Sales Representative For More Information  
[www.BLEVINSINC.com](http://www.BLEVINSINC.com)

**Blevins**

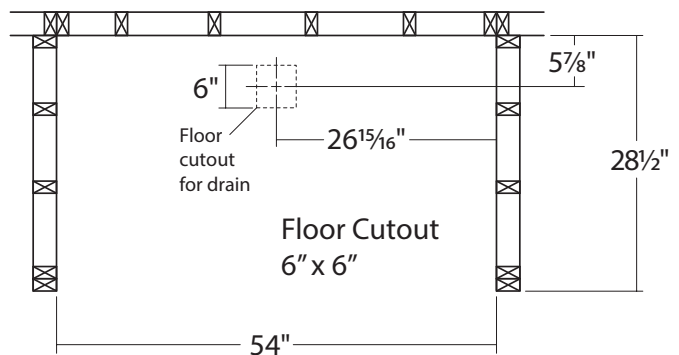
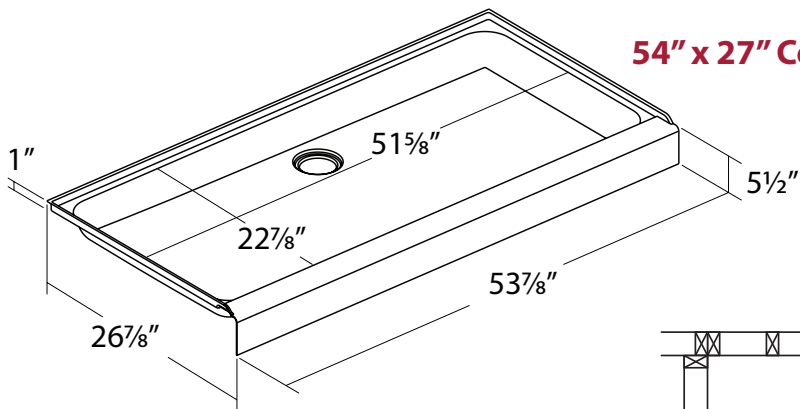
## 54" x 27" Right Drain




 = Stud location

Right Hand Shown - opposite for Left Hand

## 54" x 27" Center Drain



 = Stud location

\* Color shown may vary slightly from the actual product due to variations in the printing process of this document.

\*\* Plumbing accessories not included.

Design and features may change without notice.

Complies with ANSI Z124.1 and CAN/CSA-B45

CAN/ULC S102.2 Flame-75 & Smoke Developed-485 code.

Complies with ASME:A112.19.7 and CAN/CSA-B45.10

All product subject to manufacturing tolerance of [+ ] or [- ] 1/8".

Printed in U.S.A.

11-2018

L04