

## Elite Seated Shower Base



\*Right Seat Shown

 **Made in the USA**

ITEM ID#	COLOR*	DESCRIPTION	DIMENSIONS	SHIPPING WEIGHT
0378054	W	Elite Seated Shower Base	48" x 34" x 19" Right Seat	59 lbs
0378095	B			
0378055	W	Elite Seated Shower Base	48" x 34" x 19" Left Seat	59 lbs
0378096	B			
0378076	W	Elite Seated Shower Base	60" x 32" x 19" Right Seat	64 lbs
0378079	B			
0378077	W	Elite Seated Shower Base	60" x 32" x 19" Left Seat	64 lbs
0378080	B			

\*COLOR OPTIONS: W = WHITE B = BISCUIT

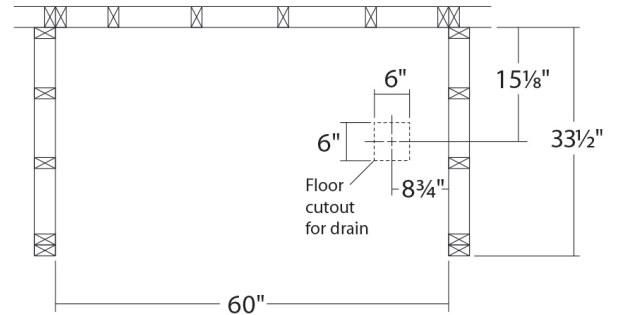
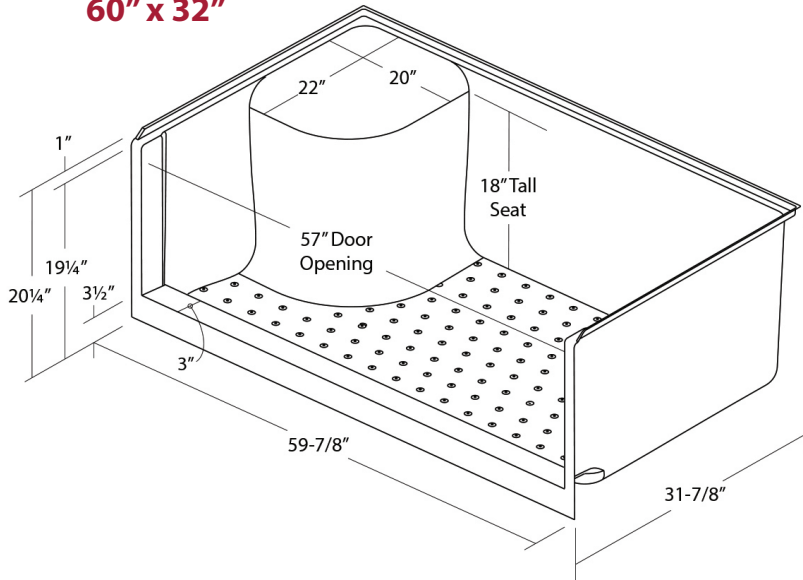
### FEATURES

- High gloss acrylic surface
- Comfortable one piece 18" tall seat.
- Scratch and stain resistant
- Spacious slip resistant area
- Reinforced with fiberglass and OSB for maximum support
- Flange screws direct-to-stud, no predrilling or clips required
- Covered with protective film to maintain finish and protect during installation
- 100% Robotic spraying improves quality and consistency
- 5-year consumer, 2-year commercial limited warranty
- Meets ANSI and CSA standards

Contact Your Blevins Sales Representative For More Information  
[www.BLEVINSINC.com](http://www.BLEVINSINC.com)

**Blevins**

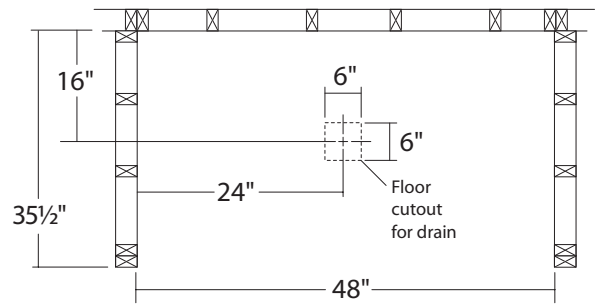
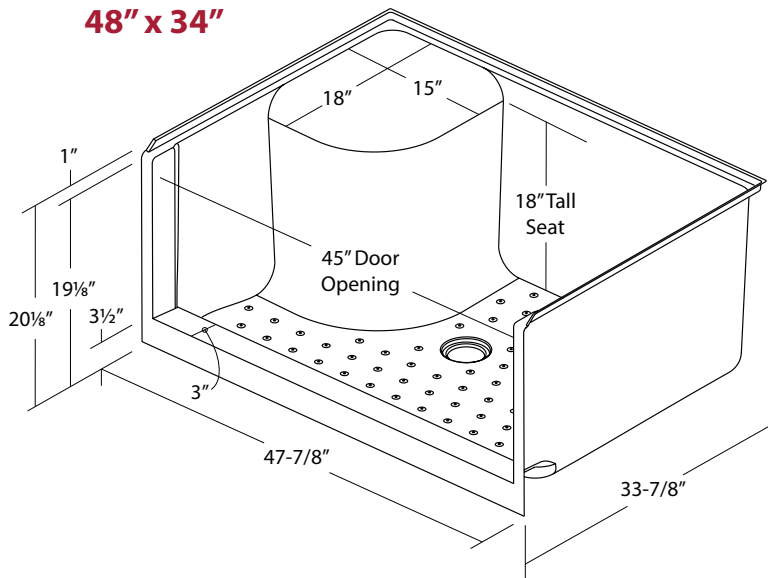
**60" x 32"**



⊗ = Stud location

Left Hand Seat with Right Hand Drain Shown - reverse for Right Hand Seat with Left Hand Drain

**48" x 34"**



⊗ = Stud location

Left Hand Seat Shown - reverse for Right Hand

\* Color shown may vary slightly from the actual product due to variations in the printing process of this document.

\*\* Plumbing accessories not included.

Design and features may change without notice.

Complies with ANSI Z124.1 and CAN/CSA-B45

CAN/ULC S102.2 Flame-75 & Smoke Developed-485 code.

Complies with ASME:A112.19.7 and CAN/CSA-B45.10

All product subject to manufacturing tolerance of [+ ] or [- ] 1/8".

Printed in U.S.A.

11-2018

L01