

## Garden Bathtub



 **Made in the USA**

ITEM ID#	COLOR*	DESCRIPTION	DIMENSIONS	SHIPPING WEIGHT
0378084	W	Garden Bathtub	54" x 42" x 19" Center	65 lbs
0378085	B	Garden Bathtub	54" x 42" x 19" Center	65 lbs

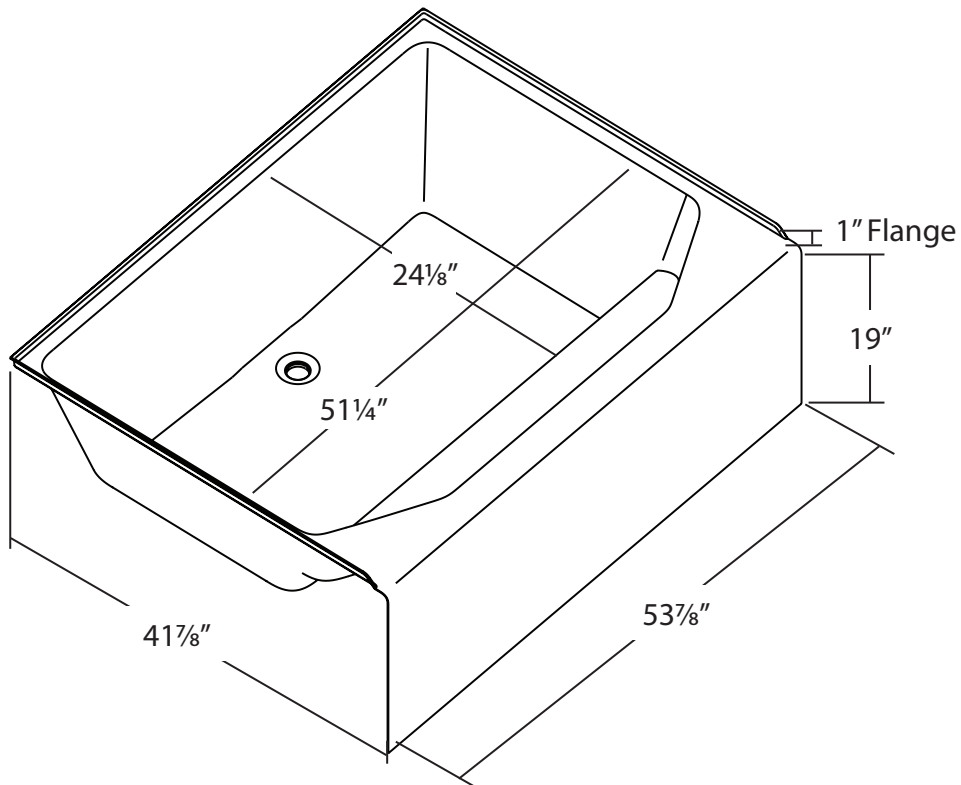
**\*COLOR OPTIONS: W = WHITE B = BISCUIT**

### FEATURES

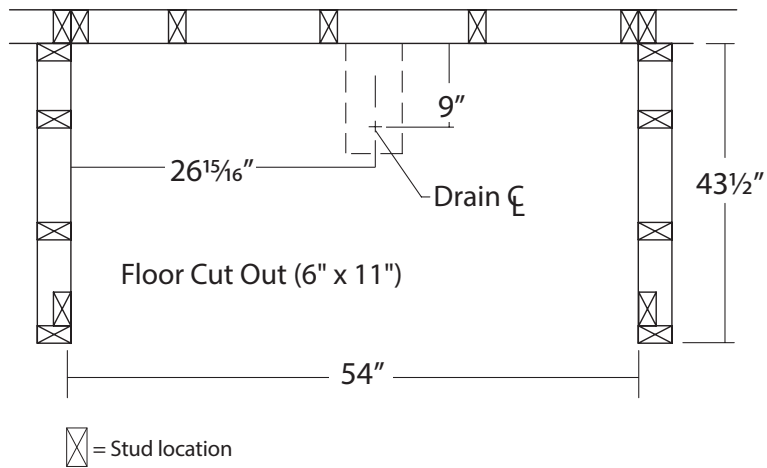
- Easy to install for both new construction and remodel projects
- Screw flange direct-to-stud, no predrilling or clips required
- Reinforced with fiberglass and OSB for maximum support
- Covered with a protective film to maintain finish during installation
- 5-Year Consumer, 2-Year Commercial Limited Warranty
- 100% robotic spraying improves quality and consistency
- Meets Flame/Smoke code for High Rise
- Meets ANSI and CSA Standards

Contact Your Blevins Sales Representative For More Information  
[www.BLEVINSINC.com](http://www.BLEVINSINC.com)

**Blevins**



Inside Step/Seating Area:  $45\frac{7}{8}'' \times 6\frac{1}{8}''$



*\* Color shown may vary slightly from the actual product due to variations in the printing process of this document.*

*\*\* Plumbing accessories not included.*

Design and features may change without notice.

Complies with ANSI Z124.1 and CAN/CSA-B45

CAN/ULC S102.2 Flame-75 & Smoke Developed-485 code.

Complies with ASME:A112.19.7 and CAN/CSA-B45.10

All product subject to manufacturing tolerance of  $[\pm]$  or  $[-]$  1/8".

Printed in U.S.A.

11-2018

L08