

# ZC6030SPAN

60 x 30 x 20 5/8 inches



## FEATURES

- Shower pan
- Integral corner seat (left or right hand)
- Left or right hand drain
- Low, 3" threshold
- Extended tiling flange (3T)
- Slip-resistant, textured bottom
- AcrylX™ applied acrylic surface
- Lifetime limited warranty

## COLOR OPTIONS

Stock

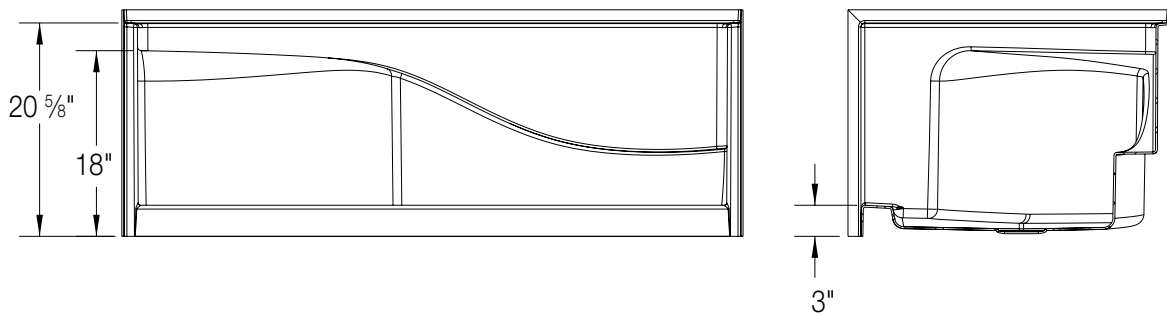
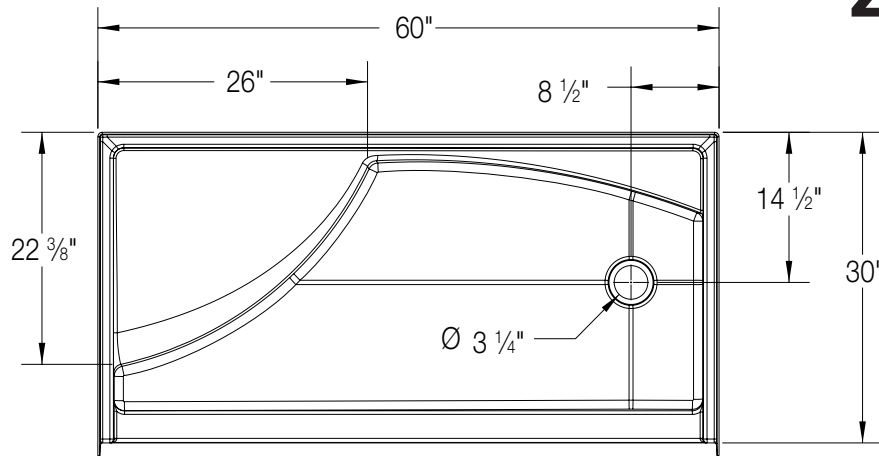
White  
Biscuit

**MAAX**®



## ZC6030SPAN

60 x 30 x 20 5/8 inches



**FEATURES** lbs Dimensional Tolerance  $\pm$  3/8". Dimensions needed for site preparation should be measured from the unit.

Model #	Material	Drain	Net Wt.	Pkg. Wt.
Shower Pan #ZC6030SPANL/R	AcrylX™	LH or RH	65	70

### DIMENSIONS inches

Specifications	inches
<b>Width:</b> Overall / Net	60
<b>Depth:</b> Overall / Net	31 1/4 / 30
<b>Height:</b> Overall / Net	21 7/8 / 20 5/8
<b>Enclosure Opening</b>	-
<b>Skirt Height</b>	3
<b>Drain Center</b> (from Back Wall)	14 1/2
<b>Drain Center</b> (from Side Wall)	8 1/2
<b>Drain:</b> Diameter / Clearance	3 1/4 / 1/4 (6)

### FRAMING DIMENSIONS inches

Type	D Depth	W Width	H Height	A	B	C
Alcove	31 1/4	60	-	Box Out	8 1/2	14 1/2

