



54" x 27" Victory™ Bathtub with Elite™ Corner Shelf Walls

Features

- High gloss acrylic surface for a bright shine and is easy to clean.
- Covered with a protective film to maintain finish during installation.
- Easy to install for both new construction and remodel projects.
- 5 Year consumer, 2 Year commercial Limited Warranty.

Wall Features

- No-caulk assembly; see back page for detail.
- Easy to clean, scratch and stain resistant.
- Four spacious 4" deep shelves.
- No drilling necessary, screw flange direct to stud.
- Compatible with most standard bathtubs.
- Wall set includes one back panel, one left panel and one right panel.
- Each set packaged in one carton.

Color Options* (color code replaces "xx" in SKU)

- | | | |
|-------------------------------------|---|---------------------------------------|
| <input type="checkbox"/> 01 - White | <input type="checkbox"/> 02 - Almond | <input type="checkbox"/> 09 - Biscuit |
| <input type="checkbox"/> 22 - Black | <input type="checkbox"/> 64 - Silver Metallic | |

Bathtub Features

- Lyons Lock™ secures integral apron to subfloor making installation a snap.
- Head and Lumbar support for bathing.
- Slip resistant bottom for showering.
- Innovative design drains water away from apron corners.
- Screw flange direct-to-stud.
- 3" diameter feet, 7/16" O.S.B. and fiberglass for maximum support.
- 28 gallon capacity with overflow.
42 gallon capacity without overflow.
- Meets Flame/Smoke code for High Rise.
- Meets ANSI and CSA Standards.

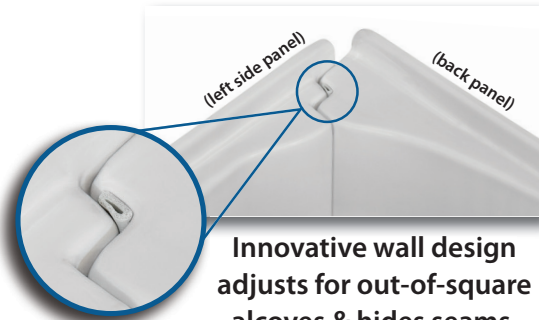
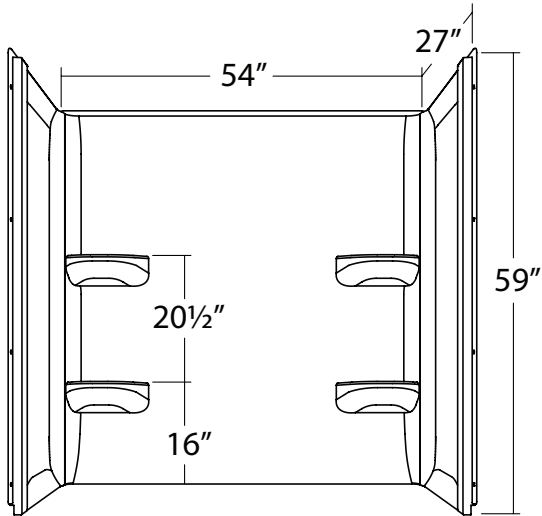
Ordering Information

Description	Dimensions	SKU	Shipping Weight
Victory™ Bathtub	54" x 27" x 16"	VTLxx542716 R or L	42 lbs
	54" x 27" x 14"	VTxx542714 R or L	42 lbs
Elite™ Corner Shelf Walls	54" x 27" x 59"	LESCSxx275459	42 lbs

*Colors shown may vary slightly from the actual product due to variations in the printing process of this document.

Plumbing accessories not included.

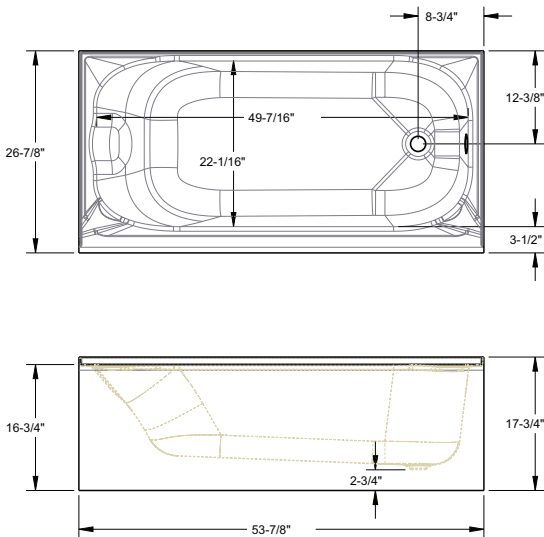
54" x 27" x 59"



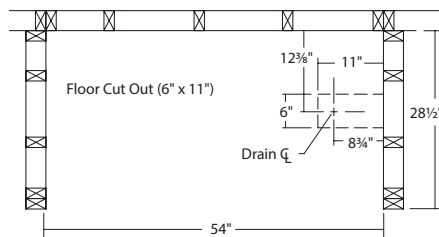
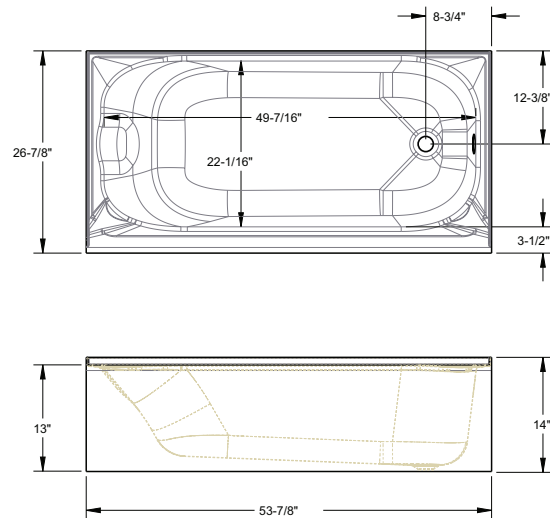
Water-Proof Gasket
(Magnified View)

**Innovative wall design
adjusts for out-of-square
alcoves & hides seams.
No caulk required.**

54" x 27" x 16"



54" x 27" x 14"



Lyons[®]
The finishing touch.

LYONS INDUSTRIES, INC.

30000 M-62 West
Dowagiac, MI 49047
phone: (800) 458-9036
fax: (269) 782-5159
www.lyonsindustries.com
e-mail: lyonsind@lyonsindustries.com

For more information, please visit us at lyonsIndustries.com
Design and features may change without notice.
Complies with ANSI Z1241.1 2005 and CAN/CSA -B45.
Complies with ANSI X1241.1 and CAN/CSA -B45.
CAN/ULC S102.2 Flame Spread-75 & Smoke Developed-485 code.
All product subject to manufacturing tolerance of [+] or [-] 1/8".
Printed in U.S.A.
4200-00171 02/13